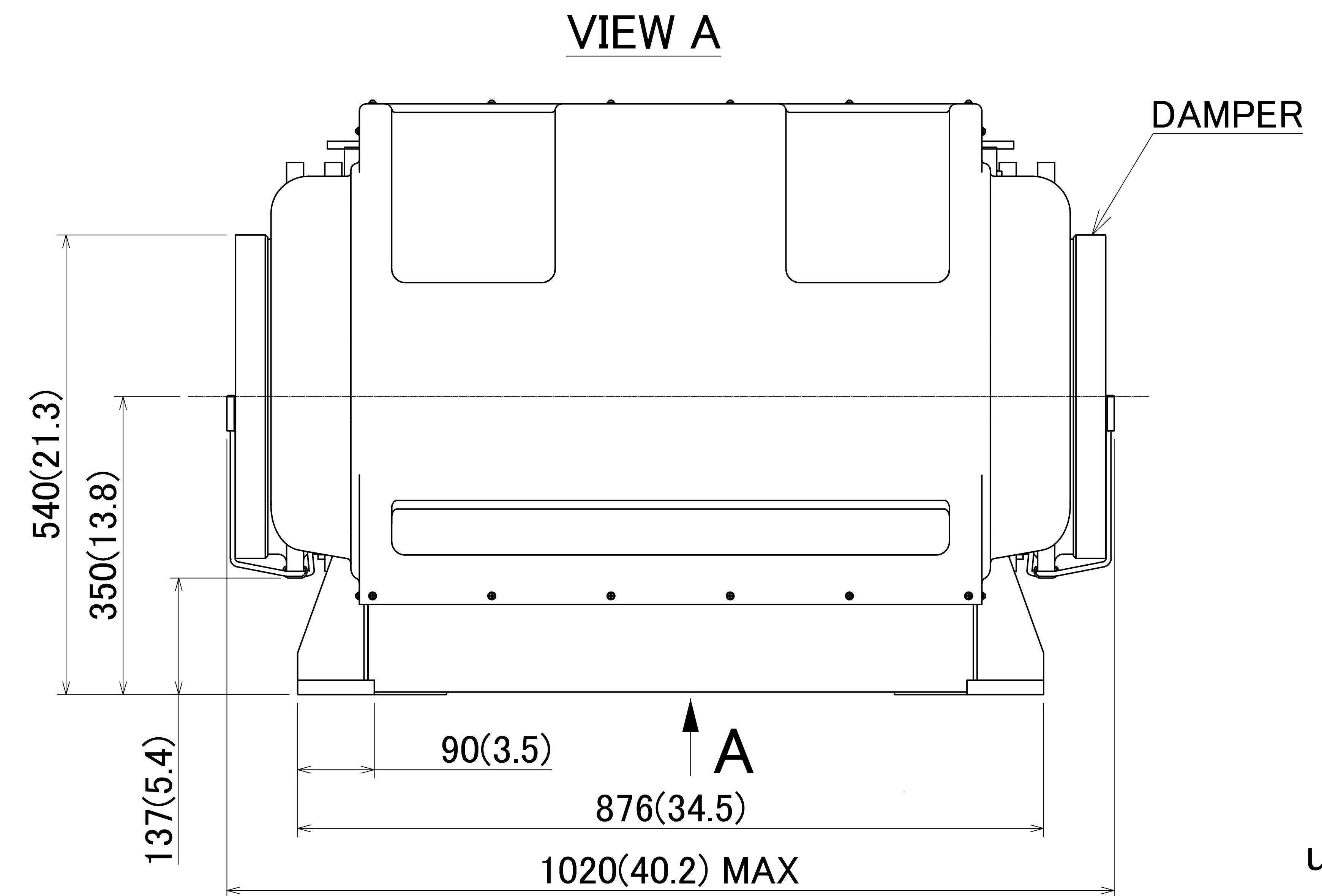
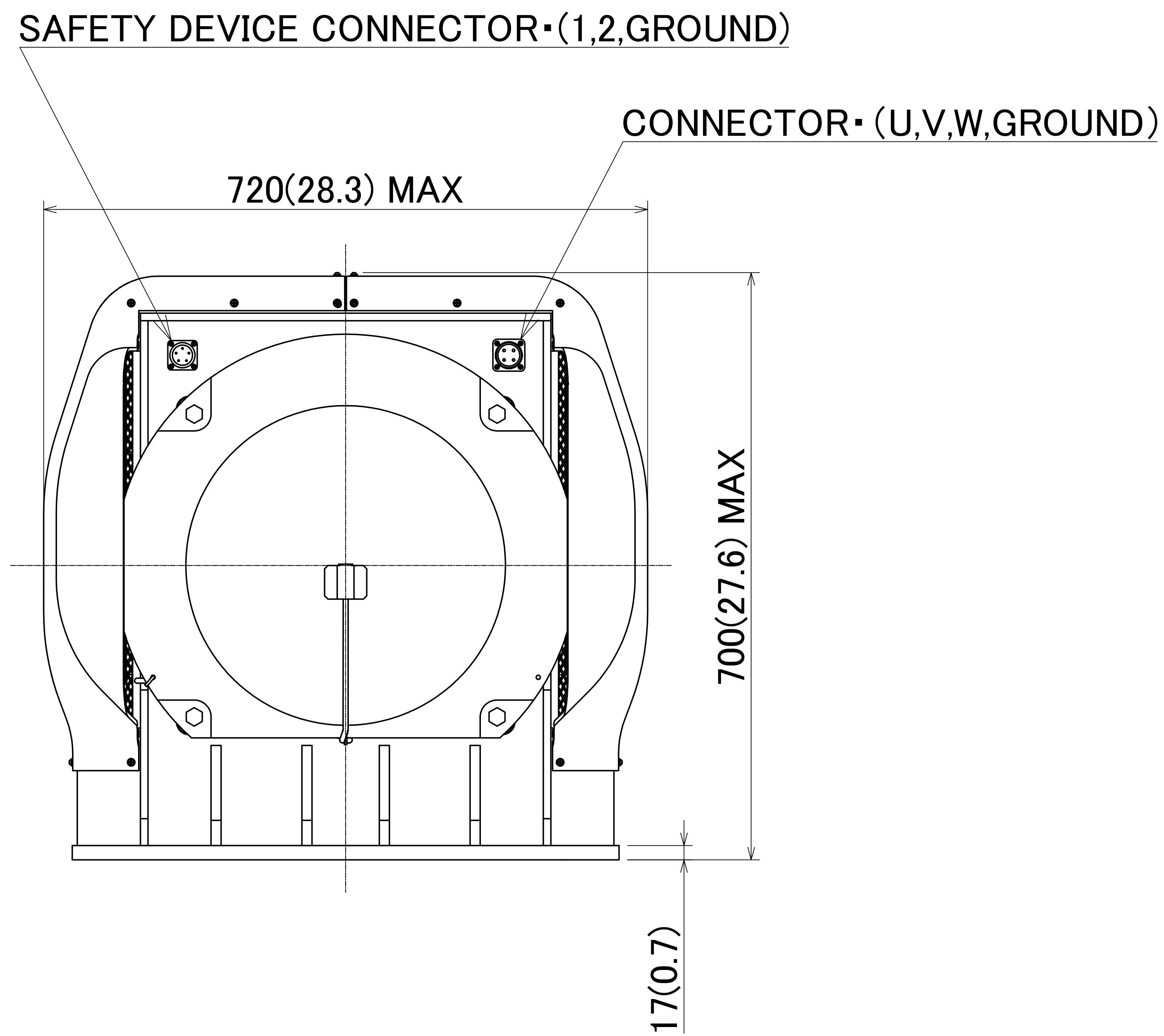
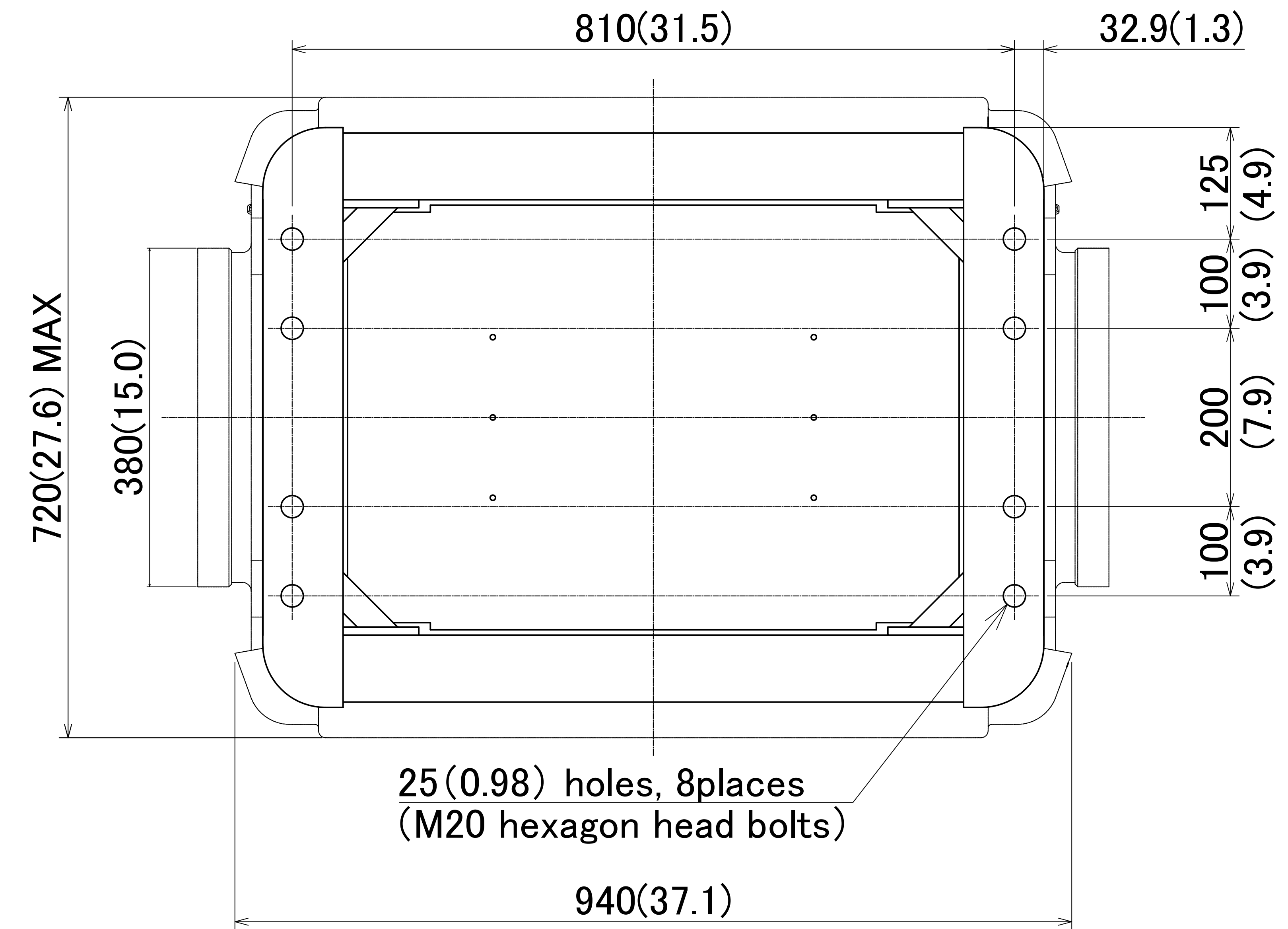


### MSM-25000T-B1 Specifications

Name	ARG250T
Model	MSM-25000T-B1
Angular momentum	Approx. 5,000 Nms
Anti-Rolling Torque	Approx. 25,000 Nm (MAX)
Dimensions height × width × depth	700 mm × 1,020 mm <sup>(*)</sup> × 720 mm 27.6 inches × 40.2 inches × 28.3 inches
Weight	Approx. 700 kg / 1,543 lbs
Rotational speed	Approx. 3,750 rpm
Power consumption (Steady-state)	Approx. 3.5 kW / For single-phase Power supply@220-240VAC Approx. 3.0 kW / For three-phase Power supply@200-240VAC
Power consumption (MAX)	Approx. 4.8 kW / For single-phase Power supply@220-240VAC Approx. 4.3 kW / For three-phase Power supply@200-240VAC

(\*) Include the SAFETY DEVICE



unit:mm(inch)

**MSM-25000T-B1**

名称 TITLE  
**Anti Rolling Gyro  
MSM-25000T-B1**