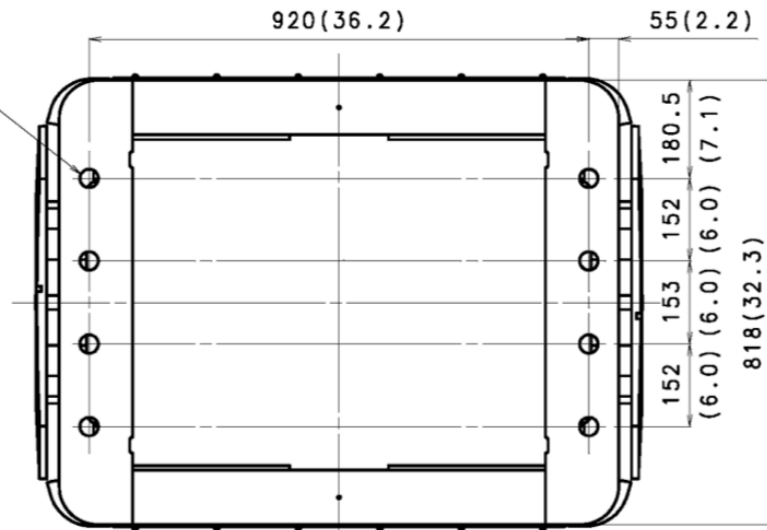


MSM-37500T-A1 specifications

Name	ARG375T
Model	MSM-37500T-A1
Angular momentum	Apporox. 7500Nms
Anti-Rolling Torque	Apporox. 37500Nm(MAX)
Dimensions	1120mm(width)x830mm(depth)x780mm(height) 44.1inches(width)x32.7inches(depth)x30.8inches(height)
Weight	Apporox. 910kg/2006lbs
Rotational speed	Apporox. 3250rpm
Power consumption (Steady-state)	Approx. 4.5kW / For single-phase Power supply220-240VAC Approx. 4.3kW / For three-phase Power supply200-240VAC
Power consumption (MAX)	Approx. 5.5kW / For single-phase Power supply220-240VAC Approx. 5.2kW / For three-phase Power supply200-240VAC

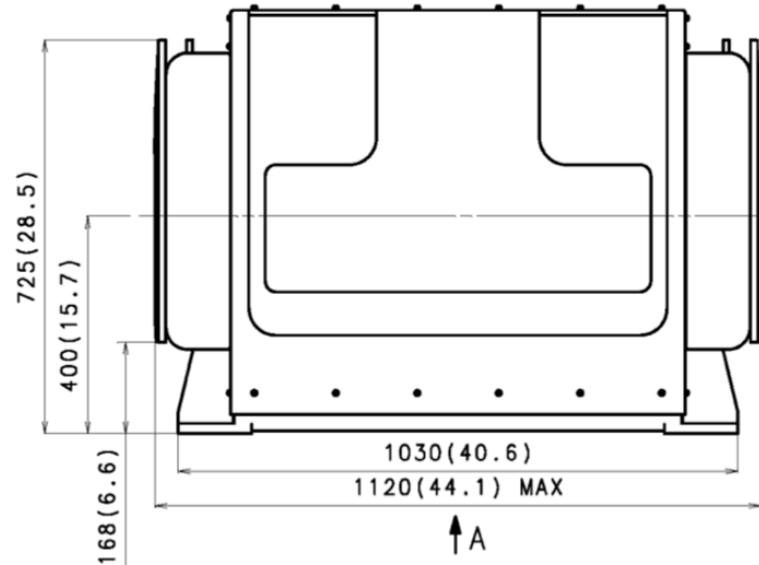
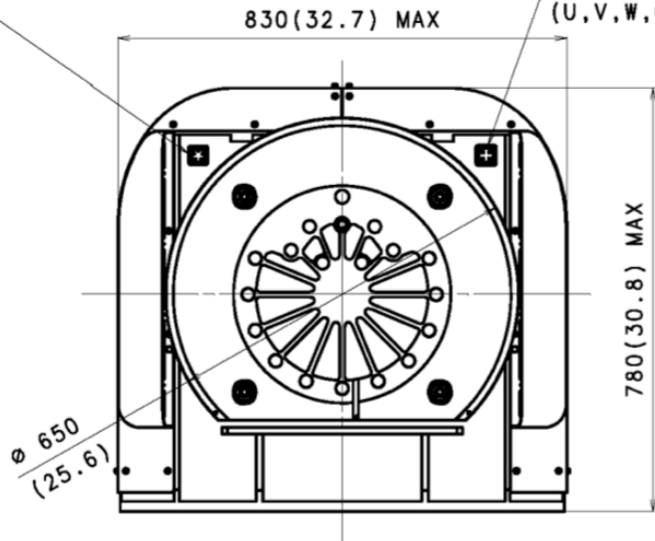
8-Ø34
(8-Ø1.3)



VIEW A

SAFETY DEVICE CONNECTOR
(1,2,GROUND)

POWER CONNECTOR
(U,V,W,GROUND)



unit:mm(inch)

MSM-37500T-A1

TITLE
Anti Rolling Gyro
MSM-37500T-A1